

Knife Switch Disconnectors 600VDC 800Amp

ON BOARD DISCONNECTOR SWITCH

600VDC ON BOARD KINFE SWITCH



For more than 50 years Mersen have been providing the market with safe, reliable, and longer life time off-load disconnectors and change-overs. These devices offer high performance and robustness for heavy duty and railway requirements with very limited maintenance.

Mersen offers one of the largest product ranges on the market for On-Board applications under 85VDC, 600VDC, 750VDC, 1,500VDC, 3,000VDC and 25kVAC.

Mersen has a switch solution that will meet your unique needs.

Our sKnife Switch range is rigorously engineered to meet your technical specifications

This device offers a visible break of the mobile silver plated contacts. This switch incorporate a large isolation air and creepage distance as part of the design

Operation is easy and flexible, it is operated manually and easily connected to the circuit, also they offer self-cleaning blade contacts, ideal for polluted environments.

This range can be studied and customised.

The mechanical endurance is 25.000 cycles minimum warrantied for a device maintained according to the maintenance recommendations.

FEATURES & BENEFITS

- No Load operation
- The knife switch is mounted in a reinforced, isolated box with a cover equipped with compression spring draw latches
- 4 position disconnectors (run, rail test, shop test, auxiliary contacts)
- 1 pole
- Quick break blades
- equipped with a fuse to protect the auxiliary circuit
- Quick break blades
- NEMA 4

APPLICATIONS

- Main Traction circuit
Change over or isolation of Power Converter and traction
- Power control with functions to disconnect, to change-over, or to ground the power source of rolling stock applications (Metro)

STANDARDS

- NTJ-J-1203
- NFPA 130
- IEC 60077-1
- IEC 60077-2
- IEC 60664
- IEC 61373
- EN 50124
- IEC 60529



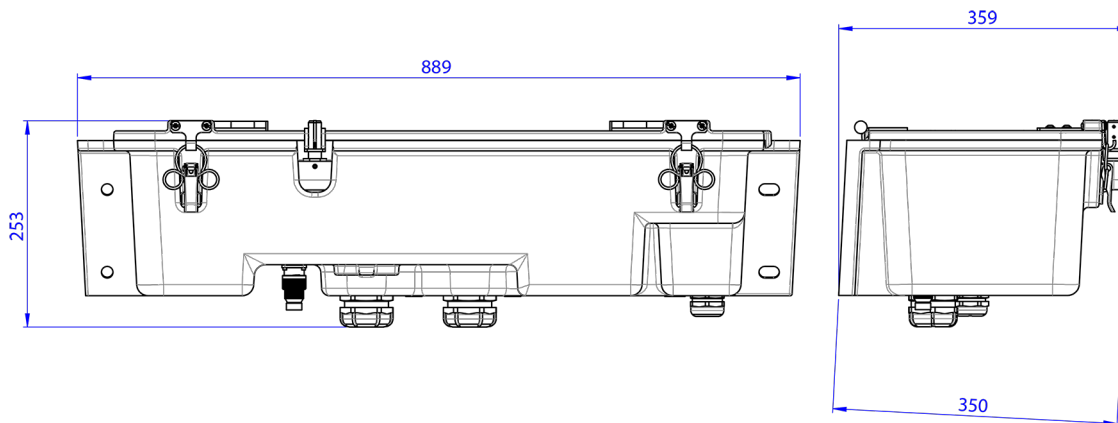
Knife Switch Disconnectors 600VDC 800Amp

TECHNICAL DATA OVERVIEW

Mechanical data	
No. of operation	minimum 25,000
Salt spray withstand	96 hours
Electrical data	
Dielectric strength	3700 V rms 60Hz 1 minute
Degree of protection	Nema 4
Voltage DC	600 VDC
Size per Standard	On Board Knife Switch
Speed/Characteristic	Manual operation
Rated current I _n	800 A
Working Temperature	-20°C to +70°C 4°F to 158° F
Number of poles	1 pole - 4 positions - Propulsion position - Auxiliaries position - Open Position - Power collector position
Weight	28 kg

DIMENSIONS

**Knife switch 750VDC inverter : 1 POLE - 4 POSITIONS 1-0 (position Closed) MANUAL OPERATION
dwg 1065047**

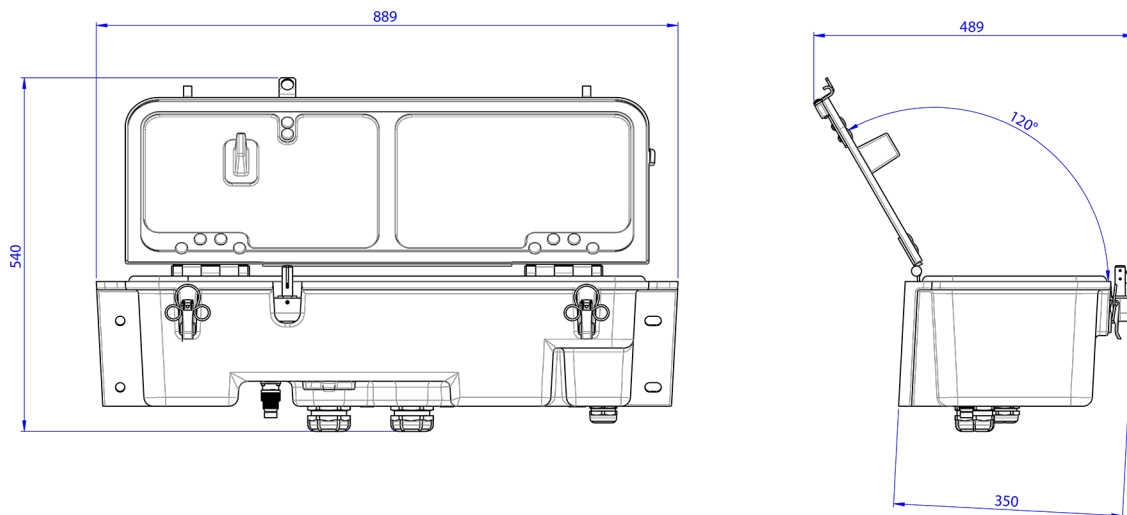


MERSEN reserves the right to change, update or correct, without notice, any information contained in this datasheet.

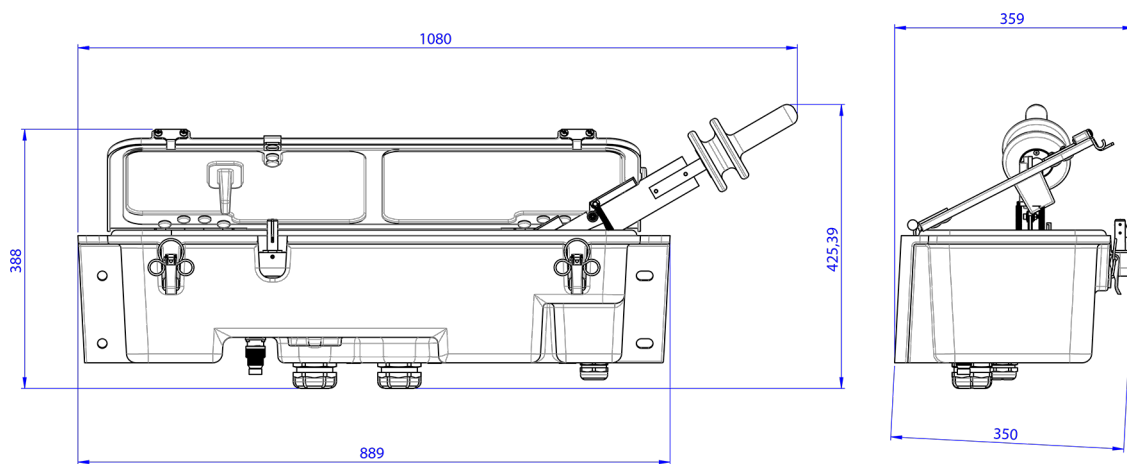
Knife Switch Disconnectors 600VDC 800Amp

DIMENSIONS

Knife switch 750VDC inverter : 1 POLE - 4 POSITIONS 1-0 (Run position) MANUAL OPERATION
dwg 1065047

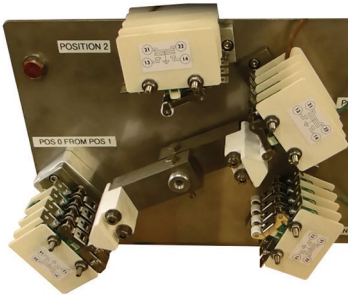


Knife switch 750VDC inverter : 1 POLE - 4 POSITIONS 1-0 (Shop Test position) MANUAL OPERATION
dwg 1065047



Knife Switch Disconnectors 600VDC 800Amp

FUNCTIONS

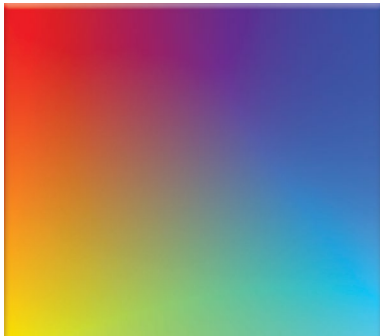


Customized signaling

This range can be equipped with micro switches offering 0,6 Amp under 250VDC and 10 million cycles operation.

These microswitches are used to signal the switch position.

The knife switch is equipped with 3 microswitches (more under study).



Color

Mersen can customize the bin and the cover color as per the RAL chart, for purely cosmetic reasons



Training and technical support

All around the world, Mersen technical team can help you for technical support and can offer you customized training sessions for your Maintenance team.



LCC; RAMS; Type tests

Mersen teams can supply Life Cycle Costs (LCC), Reliability Availability Maintainability Safety (RAMS), and Failure Mode and Effect Analysis (FMEA) studies. They can operate Qualification type tests.

ACCESSORIES



KIT MICROSWITCH V1
R211 NYCTA

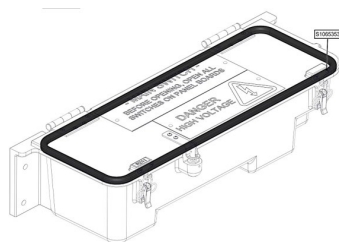
Microswitches

Catalog number	Item number
Microswitches	
KIT MICROSWITCH V1 R211 NYCTA	P1068041A
KIT MICROSWITCH V2 R211 NYCTA	Q1068042A

MERSEN reserves the right to change, update or correct, without notice, any information contained in this datasheet.

Knife Switch Disconnectors 600VDC 800Amp

ACCESSORIES



KIT SEALING R211 NYCTA

Seal

Catalog number	Item number
Seal	
KIT SEALING R211 NYCTA	M1068039A



N1068040A

Cable Glands

Catalog number	Item number
Cable Glands	
KIT CABLE GLANDS R211 NYCTA	N1068040A

Traction fuses



Catalog number	Item number
Traction fuses	
A150Z	L1068038A