

# Positive Track with fuse box included

## CURRENT COLLECTOR DEVICES (CCD)

### CCD FOR RUBBER WHEELS



Current collector devices are used by Metro to collect the energy from the third rail to energize the Electrical Multiple Unit installed in the trailers.

Since 40 years, Mersen offer the largest range of Current Collector Devices of the market with almost 200 applications running every day all over the world.

The comprehensive range of CCD for Metro is designed for all kind of configurations:

- Regular steel wheel Metro
- Pneumatic wheel Metro,
- Monorail and
- Driverless metro applications

They can operate under 750VDC.

In this catalog, all technologies can be customized to your technical environments and available space on your bogie.

The sliding shoes can be retracted manually or using a pneumatic system.

All those technologies are proven and have shown their reliability every day since 40 years.

Some references for CCD for standard bogies:

Light Automatic Vehicle

VAL Chicago airport (US), VAL Jacksonville airport (US), VAL Korea (KR), VAL Lille (FR), VAL Mexico (MX), VAL Roissy airport (FR), VAL Taipei (TW), VAL Torino (IT), VAL Toulouse (FR), ...

## FEATURES & BENEFITS

- Proven technology since 40 years with more than 200 applications running every day
- CCD's dimensions and characteristics can be customized to your application
- Minimum weight, especially low dynamic mass
- Low noise level
- Extremely compact
- Cost effective, proven technologies and simple fixing
- Low cost maintenance

## APPLICATIONS

- Third rail applications for Rubber wheels Metro

## STANDARDS

- IEC 61373



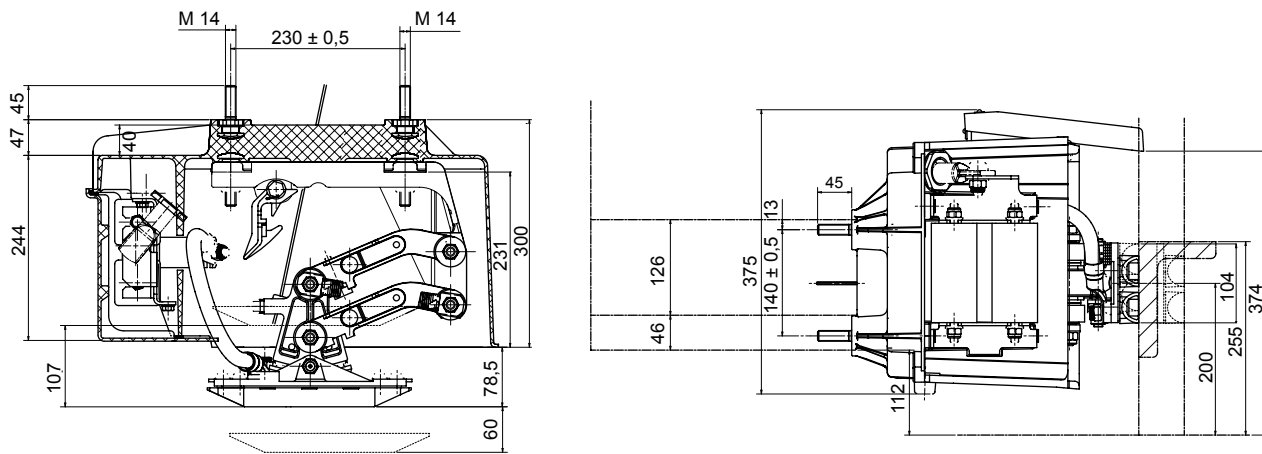
# Positive Track with fuse box included

## TECHNICAL DATA OVERVIEW

Voltage DC	750 VDC
Amper (A)	600 A
Speed/Characteristic	90 km/h
Working Temperature	-40°C / +25°C
Pressure of the Shoe	120N ±20%
Humidity	90%

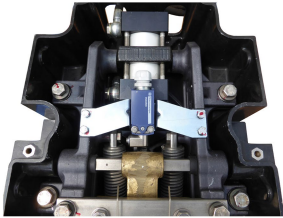
## DIMENSIONS

### Positive Track with Fuse box included Dwg 119949



# Positive Track with fuse box included

## FUNCTIONS



### Retraction position indication

To inform the driver of the retracted position of the CCD, Mersen can integrate a micro-switch to relay the information of the position.

This microswitch is compatible with all traction battery voltage supply (12, 24, 48 and 110VDC).



### Special Micro switch clamping

Mersen can add a microswitch to relay the information of the status of the fuse (blown or not) and to secure the position of the microswitch, Mersen has developed a special clamping system.



### Blown fuse cover Window

A window in the cover can help you to see the status of the fuse if you don't use the microswitches.



### Shoe material

Mersen can propose different Shoe materials - Copper; Graphite; Cast iron; Steel; Cupro Alu adapted to your third rail.

Once they are worn, it is very easy to change them for new ones supplied by Mersen.

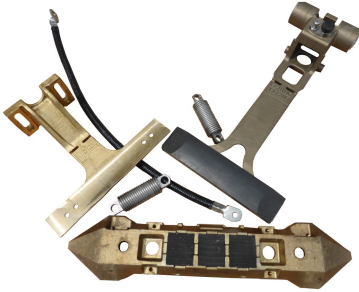


### Shoe position adjustment

The CCD are equipped with an adjustment fixing holes in order to be able to change the position of the shoe(s) and balance the worn of the the third rail (the pitch = 16mm)

# Positive Track with fuse box included

## FUNCTIONS



### Spare part kits

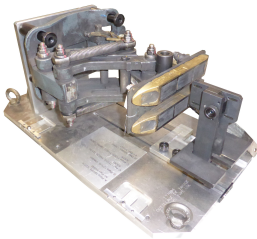
Mersen will supply you all Spare parts kits to increase the life time and guarantee a reliable service of your current collector devices.

- cables,
- fuses,
- replacement shoes and arms,
- hardware,
- and all necessary components



### Training and technical support

Mersen team can help you for training your Maintenance team and for commissioning your new installations all around the world

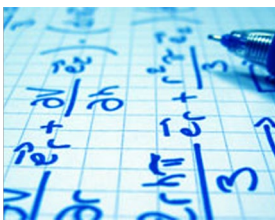


### Tooling

Beside the spare parts, Mersen can supply the necessary tooling to set perfectly your CCD to the technical requirements of your grid and optimize their use.

High, Low and nominal positions can be set, also, the tool include a pressure measurement system to check the pressure of the CCD on the 3rd rail.

This tool is mandatory to succeed the maintenance when the great overhaul to guarantee a reliable service and longer life time of your CCD fleet



### LCC; RAMS; Type tests

All around the world, Mersen technical team can help you for technical support and can offer you customized training sessions for your Maintenance team.

# Positive Track with fuse box included

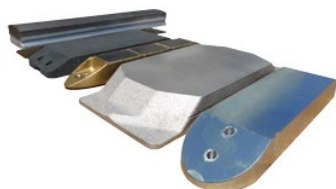
## ACCESSORIES



Manual CCD lever

### Manual operation handles

Catalog number	Package	Weight
<b>Manual operation handles</b>		
ON BOARD MANUAL CCD LEVER	1 piece	0.4 kg



### Brushes

Catalog number	Package
<b>Brushes</b>	
Cast Iron Shoe	1 piece
Copper shoe	1 piece
Cupro Alu shoe	1 piece
Graphite Shoe	1 piece
Steel shoe	1 piece



Connexion cables

### Cables

Braided cables
Braided cables



Y232597A

### Traction fuses

Catalog number	Item number	Package	Weight
<b>Traction fuses</b>			
CC 7,5 GRC 123 D19SI 0500	C221216A	1 piece	2.3 kg
CC 7,5 GRC 123 D19SI 0600	K1018748A	1 piece	2.2 kg
CC 7,5 GRC 123 D19SI 0700	Y232597A	1 piece	2.3 kg
CC 7,5 GRC 123 TTF 0500	D090439A	1 piece	2 kg
CC 7,5 GRC 123 TTF 0600	H239207A	1 piece	2.2 kg
CC 7,5 GRC 123 TTF 0700	N1013714A	1 piece	2.3 kg
MICROSWTCH HOLDER SIZE 12X	Q1049941A	1 piece	0.15 kg