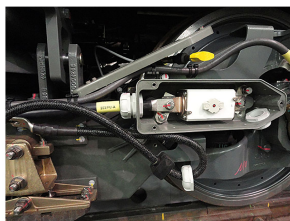


Fuse Box on Bogies 750VDC

ON BOARD FUSE BOX AND CONNEXION BOX

FUSE BOX RANGE 750VDC - 1500VDC - 2000VDC



For more than 50 years, Mersen have been providing the market with safe, reliable and longer life time fuse boxes. These devices offer high performances and robustness for heavy duty requirements with very limited maintenance.

Mersen offers one of the largest product ranges on the market and have a Fuse Box solution that will meet your unique needs.

Our Fuse Box product line is rigorously engineered to meet your technical specifications and can see their dimensions be customised to your needs.

They can be installed vertically or horizontally on the roof or on the bogie.

They can include additional functions like Voltage or Current measurement system or relays for Voltage detection.

Our Fuse box has a strong resistance to mechanical impacts, rain, snow, wind, sun, detergents, vibration

Box Configuration can include additional functions:

- Fuse micro switches (blown fuse indication) or window
- Voltage presence relay
- Energy Measurement (Volt, Amp, Watt)

CEI & UL standard fuses

Fuse Boxes can be coloured upon request (cosmetic reason)

TECHNICAL DATA OVERVIEW

Voltage DC	750 VDC
Ampere Range (A)	250 ... 1400 A
Breaking capacity	See DC fuse characteristics
Working Temperature	-20°C to +40°C

FEATURES & BENEFITS

- Single shape moulded box and cover which can be customised to your dimensions and have its number of entries and exits adapted
- Fuse Boxes can host 1, 2 or 3 different circuits with separate or common entries and exits
- 750VDC; 1500VDC; 2000VDC
- Current range up to 3500A DC per box (6 fuses in parallel)
- Connection: cable glands/protected by cover
- Covers are equipped with captive screws
- Polyester resin reinforced with 25% glass fiber, fire & smoke classification M1F1 under NF F 16 101/16 102, coated with GELCOAT, 300 to 400 µm thick, available in a variety of colors, fire & smoke classification M1F3 under NF F 16 101/16 102
- or Sheet Moulding Compound (SMC): Polyester resin reinforced with 25% glass fiber, dyed in the mass, fire & smoke classification M1F2 under NF F 16 101/16 102
- Can be mounted on U-shape rails with Micaver insulators or screwed onto moulded blind-hole inserts

APPLICATIONS

- Power Converter or Circuit Breaker power supply protection

STANDARDS

- IEC 61373 level 3
- M1F3 or M1F2 following NF F 16 101/16 102
- EN 45545



MERSEN reserves the right to change, update or correct, without notice, any information contained in this datasheet.

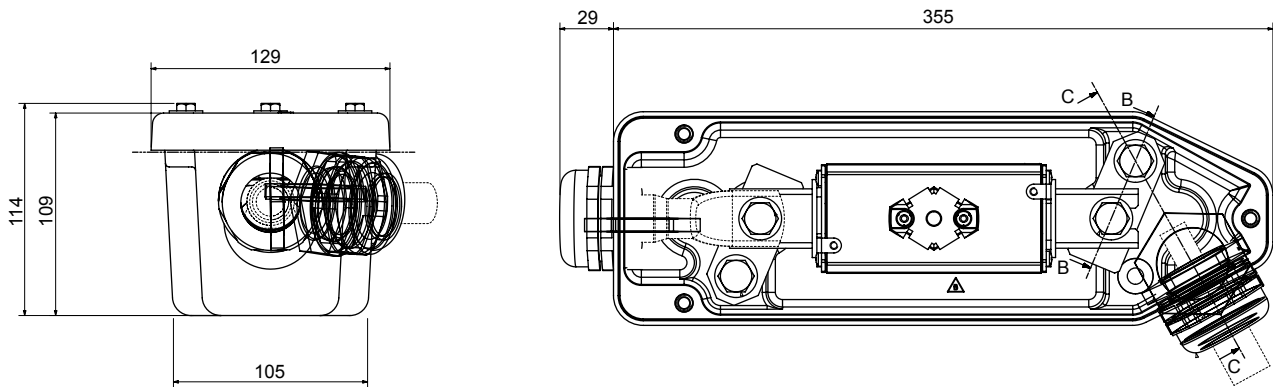
Fuse Box on Bogies 750VDC

TECHNICAL DATA

		Fuse_Box details
Mounting		Horizontal or Vertical
IP		55

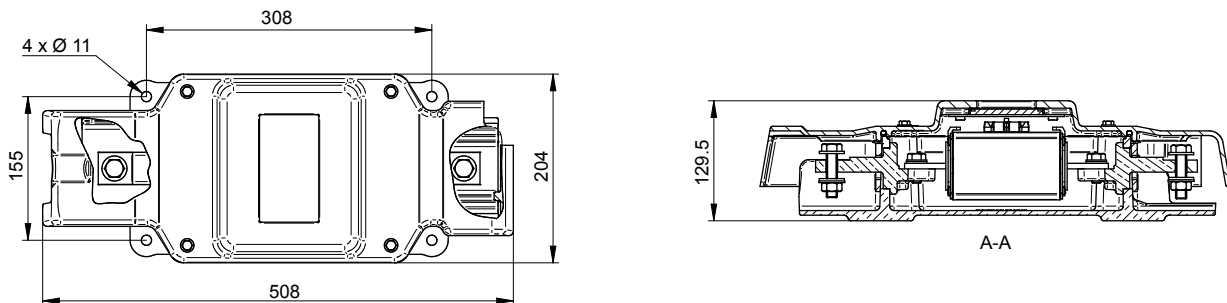
DIMENSIONS

750VDC Fuse Box compact size + Cable Gland - 1 Fuse 123 W/O MC - DWG 126552



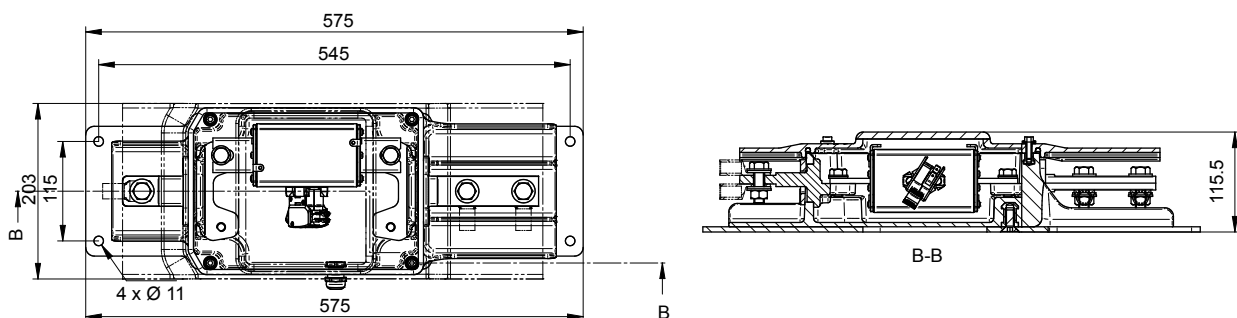
Dimensions in mm

750VDC Fuse Box compact size + Cable Protection - 1 Fuse 123 W/O MC - DWG 1036865



Dimensions in mm

750VDC Fuse Box compact size + Cable Protection - 1 Fuses 123 With MC - DWG 1027627



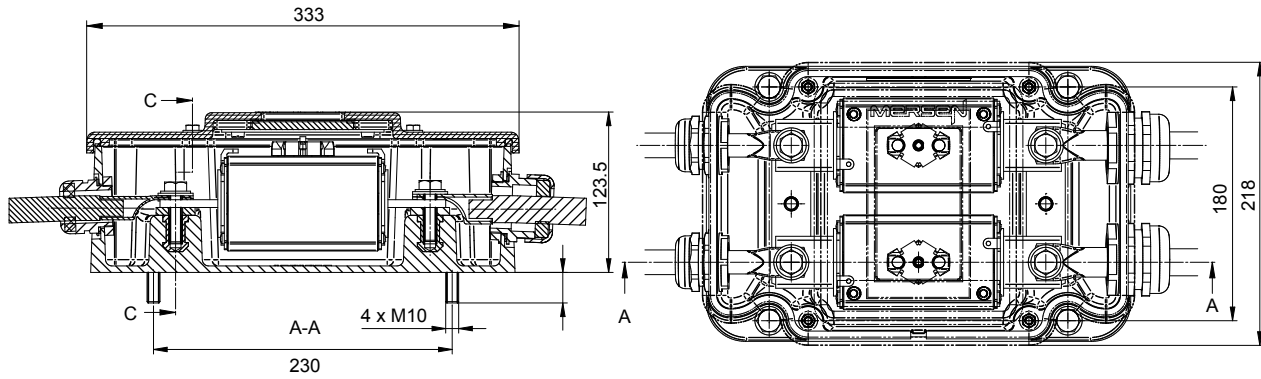
Dimensions in mm

MERSEN reserves the right to change, update or correct, without notice, any information contained in this datasheet.

Fuse Box on Bogies 750VDC

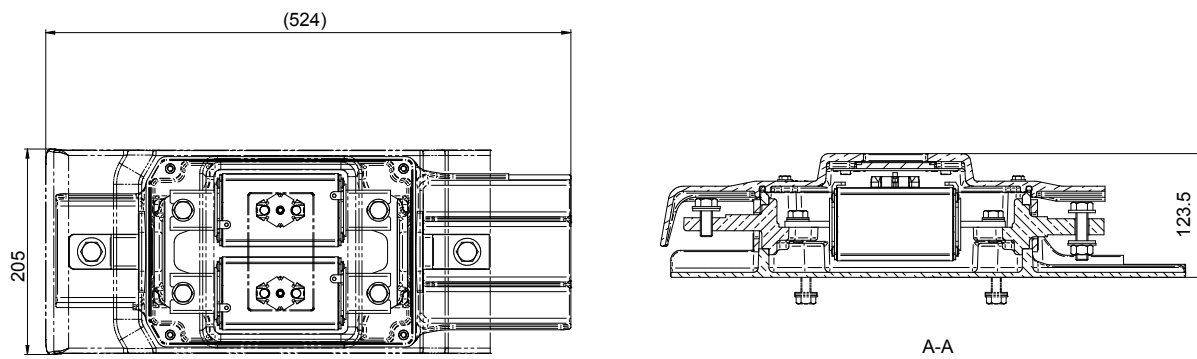
DIMENSIONS

750VDC Fuse Box compact size + Cable Gland - 2 Fuses 123 W/O MC - DWG 1044414



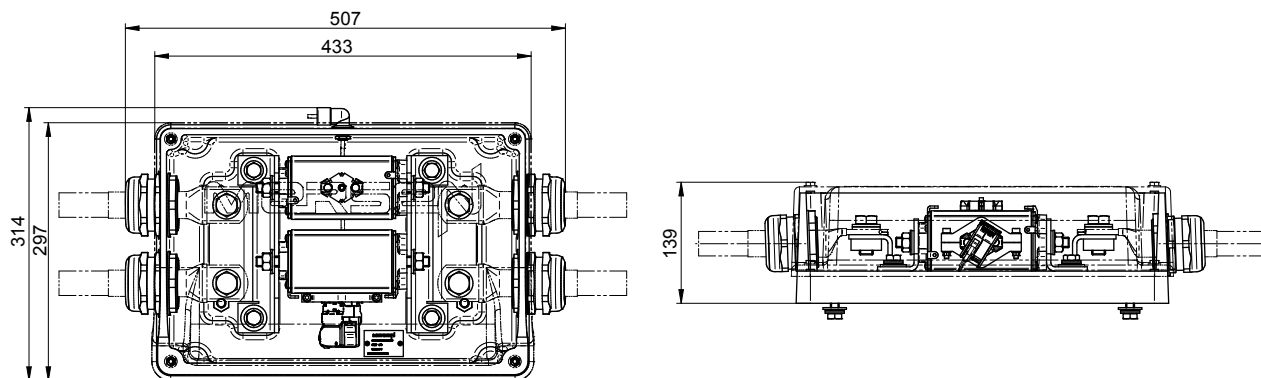
Dimensions in mm

750VDC Fuse Box compact size + Cable Protection - 2 Fuses 123 W/O MC - DWG 1014499



Dimensions in mm

750VDC Fuse Box compact size + Cable Glands - 2 Fuses 123 With MC - DWG 1049033



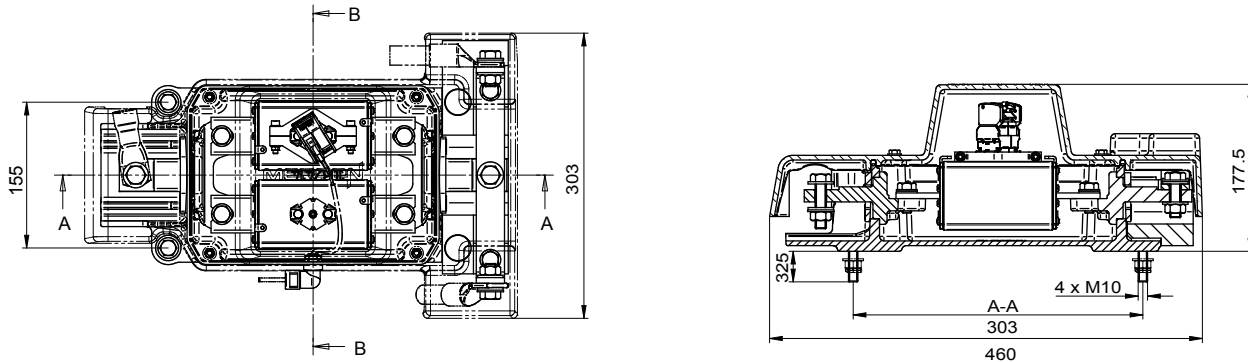
Dimensions in mm

MERSEN reserves the right to change, update or correct, without notice, any information contained in this datasheet.

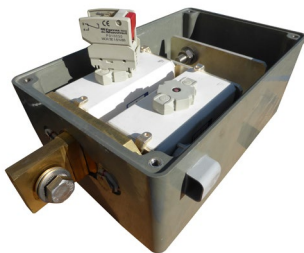
Fuse Box on Bogies 750VDC

DIMENSIONS

750VDC Fuse Box compact size + Cable Protection - 2 Fuses 123 With MC - DWG 1031072



FUNCTIONS



Fuse Microswitches

All fuses can be equipped with microswitches to signal their status (blown or not).



Volt and Amp measurement

Voltage detection

Fuse Box can include Volt and Amp measurement devices.

Fuse Box can include Voltage detection system using Mors Smitt HVDR relay.



Special Micro switch clamping

To secure the position of the microswitch, Mersen has developed a special clamping system.

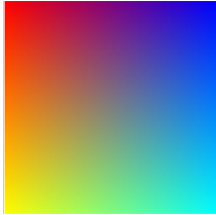
Fuse Box on Bogies 750VDC

FUNCTIONS



Blown fuse cover Window

A window in the cover can help you to see the status of the fuse if you don't use the microswitches.



Colour

Initial colour of our Fuseboxes is RAL 7010 but we can change it for a specified color requested by you as per the RAL chart (mass tainted minimum 200 boxes), for purely cosmetic reasons.



Training and technical support

All around the world, Mersen technical team can help you for technical support and can offer you customized training sessions for your Maintenance team.



LCC; RAMS; Type tests

Mersen teams can supply Life Cycle Costs (LCC), Reliability Availability Maintainability Safety (RAMS), and Failure Mode and Effect Analysis (FMEA) studies. They can operate Qualification type tests.

ACCESSORIES



D1039235

Cable Glands

Catalog number	Item number	Package	Weight
Cable Gland ISO Diam 50	D1039235	10 pieces	50 g
Cable Gland ISO Diam 40	B1039233	10 pieces	50 g
Cable Gland ISO Diam 32	P127364	10 pieces	50 g

Fuse Box on Bogies 750VDC

ACCESSORIES



Y232597A

Traction fuses

Catalog number	Item number	Package	Weight
CC 7,5 GRC 122 TTF 0350	G220898A	1 piece	1.5 kg
CC 7,5 GRC 122 TTF 0400	C090438A	1 piece	1.5 kg
CC 7,5 GRC 122 D19SI 0315	M221915A	1 piece	1.6 kg
CC 7,5 GRC 122 D19SI 0400	A233864A	1 piece	1.6 kg
CC 7,5 GRC 123 TTF 0500	D090439A	1 piece	2 kg
CC 7,5 GRC 123 TTF 0600	H239207A	1 piece	2.2 kg
CC 7,5 GRC 123 TTF 0700	N1013714A	1 piece	2.3 kg
CC 7,5 GRC 123 D19SI 0500	C221216A	1 piece	2.3 kg
CC 7,5 GRC 123 D19SI 0600	K1018748A	1 piece	2.2 kg
CC 7,5 GRC 123 D19SI 0700	Y232597A	1 piece	2.3 kg
MICROSWTCH HOLDER SIZE 12X	Q1049941A	1 piece	0.15 kg