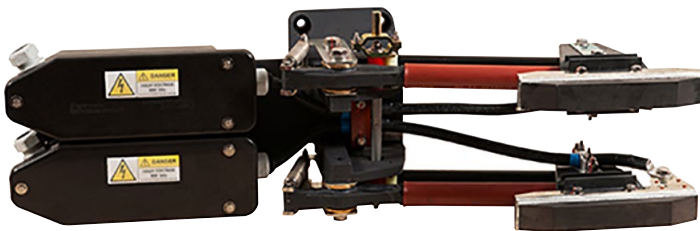


# Dual lateral contact

## CURRENT COLLECTOR DEVICES (CCD)

### CCD FOR MONORAIL/SKYTRAIN



Current collector devices are used by Metro to collect the energy from the third rail to energize the Electrical Multiple Unit installed in the trailers.

Since 40 years, Mersen offer the largest range of Current Collector Devices of the market with almost 200 applications running every day all over the world.

The comprehensive range of CCD for Metro is designed for all kind of configurations:

- Regular steel wheel Metro
- Pneumatic wheel Metro,
- Monorail and
- Driverless metro applications

They can operate under 1000VDC.

In this catalog, all technologies can be customized to your technical environments and available space on your bogie.

The sliding shoes can be retracted manually or using a pneumatic system.

All those technologies are proven and have shown their reliability every day since 40 years.

Some references for CCD for Monorail/Skytrain:

Skytrain Kuala-Lumpur (MY)

Skytrain Scarborough (GB)

Skytrain Vancouver (CA)

...

## FEATURES & BENEFITS

- Proven technology since 40 years with more than 200 applications running every day
- CCD's dimensions and characteristics can be customized to your application
- Minimum weight, especially low dynamic mass
- Low noise level
- Extremely compact
- Cost effective, proven technologies and simple fixing
- Low cost maintenance

## APPLICATIONS

- Third rail applications for Metro

## STANDARDS

- IEC 61373



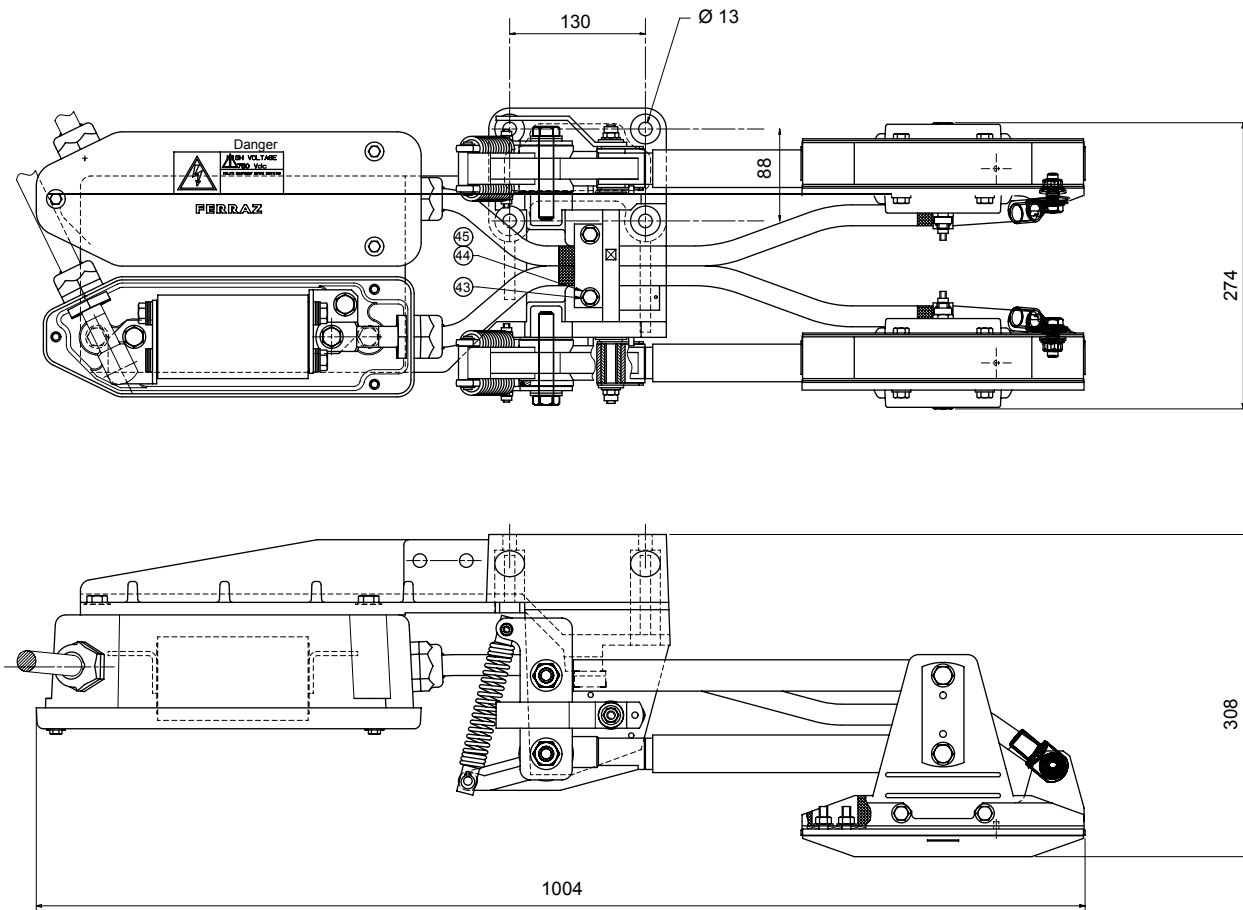
# Dual lateral contact

## TECHNICAL DATA OVERVIEW

|                      |               |
|----------------------|---------------|
| Voltage DC           | 1000 VDC      |
| Amper (A)            | 800 A         |
| Speed/Characteristic | 90 km/h       |
| Working Temperature  | -40°C / +25°C |
| Pressure of the Shoe | 120N ±20%     |
| Humidity             | 90%           |

## DIMENSIONS

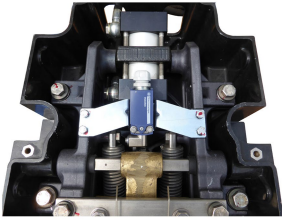
Dual lateral contact  
Dwg 111240



MERSEN reserves the right to change, update or correct, without notice, any information contained in this datasheet.

# Dual lateral contact

## FUNCTIONS



### Retraction position indication

To inform the driver of the retracted position of the CCD, Mersen can integrate a micro-switch to relay the information of the position.

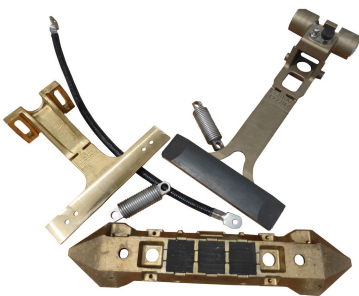
This microswitch is compatible with all traction battery voltage supply (12, 24, 48 and 110VDC).



### Shoe material

Mersen can propose different Shoe materials - Copper; Graphite; Cast iron; Steel; Cupro Alu adapted to your third rail.

Once they are worn, it is very easy to change them for new ones supplied by Mersen.



### Spare part kits

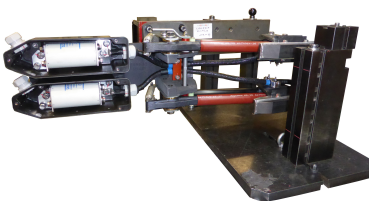
Mersen will supply you all Spare parts kits to increase the life time and guarantee a reliable service of your current collector devices.

- cables,
- fuses,
- replacement shoes and arms,
- hardware,
- and all necessary components



### Training and technical support

Mersen team can help you for training your Maintenance team and for commissioning your new installations all around the world



### Tooling

Beside the spare parts, Mersen can supply the necessary tooling to set perfectly your CCD to the technical requirements of your grid and optimize their use.

High, Low and nominal positions can be set, also, the tool include a pressure measurement system to check the pressure of the CCD on the 3rd rail.

This tool is mandatory to succeed the maintenance when the great overhaul to guarantee a reliable service and longer life time of your CCD fleet

# Dual lateral contact

## FUNCTIONS



### LCC; RAMS; Type tests

All around the world, Mersen technical team can help you for technical support and can offer you customized training sessions for your Maintenance team.

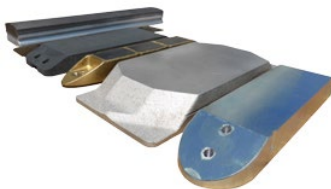
## ACCESSORIES



Manual CCD lever

### Manual operation handles

| Catalog number                  | Package | Weight |
|---------------------------------|---------|--------|
| <b>Manual operation handles</b> |         |        |
| ON BOARD MANUAL CCD LEVER       | 1 piece | 0.4 kg |



### Brushes

| Catalog number | Package |
|----------------|---------|
| <b>Brushes</b> |         |
| Cast Iron Shoe | 1 piece |
| Copper shoe    | 1 piece |
| Cupro Alu shoe | 1 piece |
| Graphite Shoe  | 1 piece |
| Steel shoe     | 1 piece |



Connexion cables

### Cables

|                |
|----------------|
| Braided cables |
| Braided cables |

MERSEN reserves the right to change, update or correct, without notice, any information contained in this datasheet.

# Dual lateral contact

## ACCESSORIES



Y232597A

### Traction fuses

| Catalog number             | Item number | Package | Weight  |
|----------------------------|-------------|---------|---------|
| <b>Traction fuses</b>      |             |         |         |
| CC 7,5 GRC 123 D19SI 0500  | C221216A    | 1 piece | 2.3 kg  |
| CC 7,5 GRC 123 D19SI 0600  | K1018748A   | 1 piece | 2.2 kg  |
| CC 7,5 GRC 123 D19SI 0700  | Y232597A    | 1 piece | 2.3 kg  |
| CC 7,5 GRC 123 TTF 0500    | D090439A    | 1 piece | 2 kg    |
| CC 7,5 GRC 123 TTF 0600    | H239207A    | 1 piece | 2.2 kg  |
| CC 7,5 GRC 123 TTF 0700    | N1013714A   | 1 piece | 2.3 kg  |
| MICROSWTCH HOLDER SIZE 12X | Q1049941A   | 1 piece | 0.15 kg |